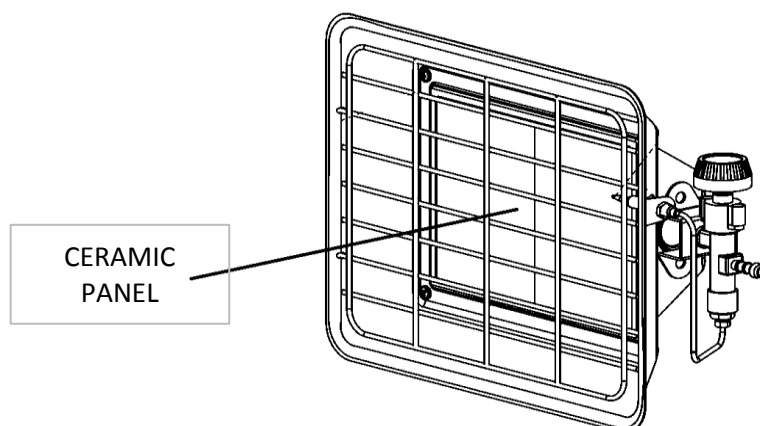


RADIANT GAS HEATER

34 CR



FUNCTIONING PRINCIPLES



The portable radiant gas heater allow to powerfully heat rooms without electric power. It is efficient and environmentally friendly solutions. It does not require chimney or installation. It is very light and easy to transport. The gas hose and regulator gas pressure are included.

TECHNICAL DATA

Capacity	Max. kW	3,4	Max. gas consumption	g/h	246
	Min. kW	1,7	Min. room	m ³	34
Gas type	Propane / Butane		Min. vent. hole	cm ³	85
Gas pressure	mbar	28-30 / 37 / 50	Max. gas botle	kg	15
Net weight	kg	2,04	Appliance category	I ₃₊ / I _{3B/P}	
Gross weight	kg	2,66			

PACKING

Dimensions packing	mm	350 x 160 x 460
Dimensions appliance	mm	380 x 295 x 255
Pieces for europallet	n°	66
Pieces full truck	n°	2178

COMPONENTS

Burner	ceramic panel
Injector	gas nozzle
Termocuple	with metal cover
Gas valve	manual adjustable, two settings
Gas hose	Ø=8mm, L=1m
Gas reducer	30 mbar, 37mbar, 50mbar